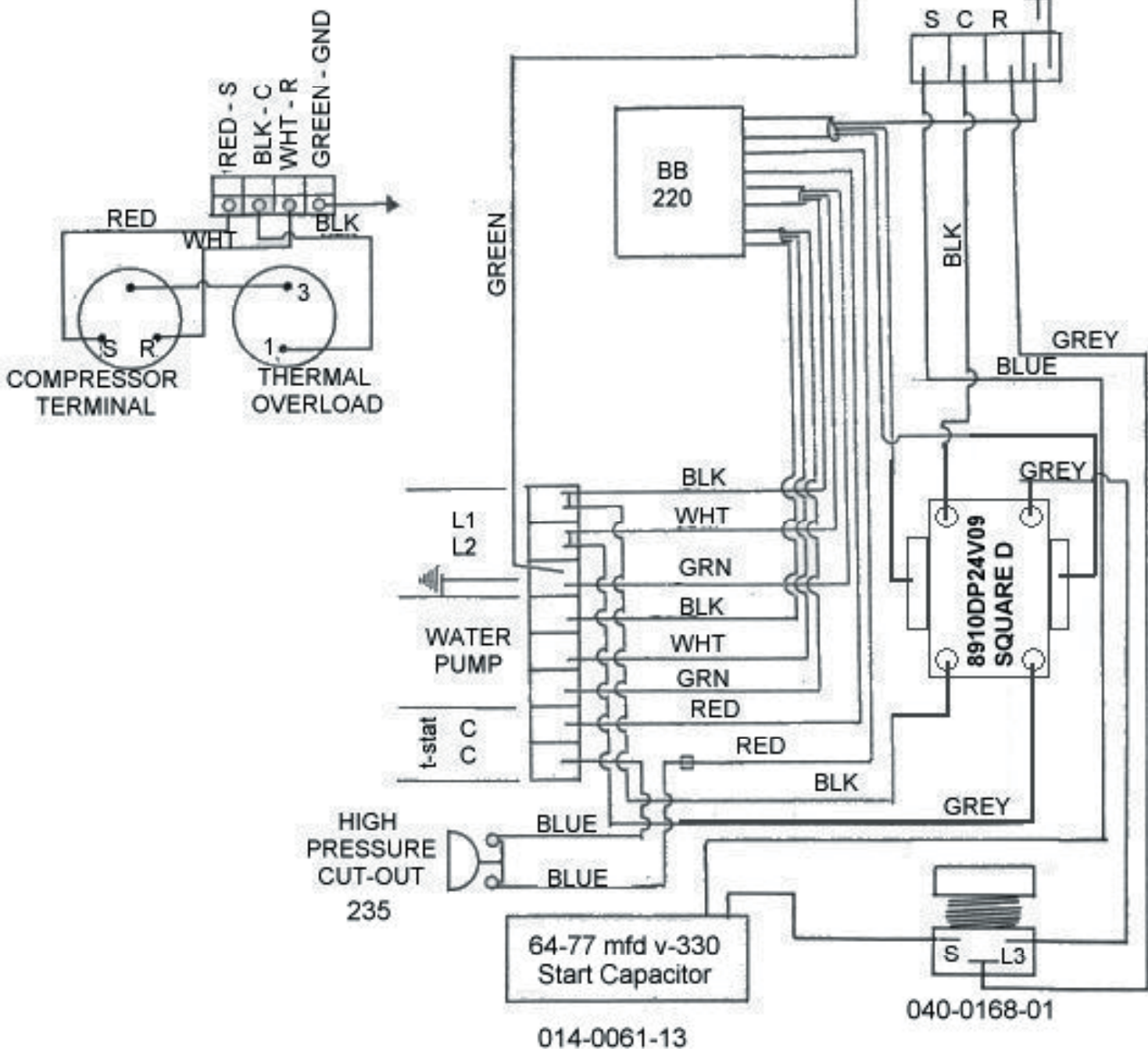


NOTE: TO AVOID ELECTRICAL SHOCK
 PANEL MUST BE MOUNTED INSIDE
 CABINET.

PANEL UP ARROW MUST BE
 UP TO OPERATE START RELAY.



Compressor # RS54C2E-IAV-201

SEA FROST BG 1000
 220-Volt 50/60 HZ

6/10/2010