

THERMOSTAT CALIBRATION INSTRUCTIONS

Note: Be sure that the unit is operating properly before making any thermostat adjustments. The sensing bulb must be in excellent thermal contact with the plate or block.

The range of this control may be changed. To access the adjustment screw, remove the four mounting screws on the thermostat panel. Tip the panel forward and make the adjustment with a torx or small phillips head screwdriver.

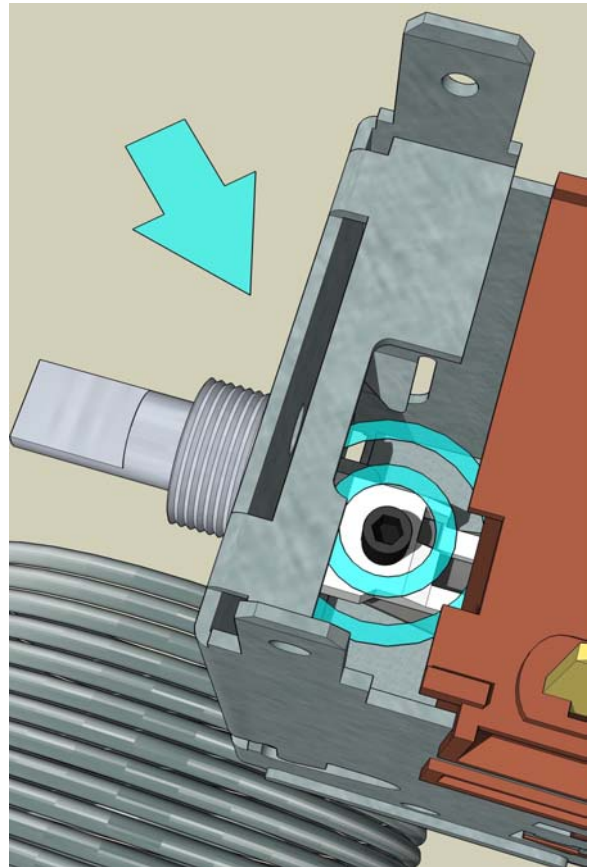
Make small adjustments. Record all adjustments.

If the lowest setting on the thermostat panel is too cold:

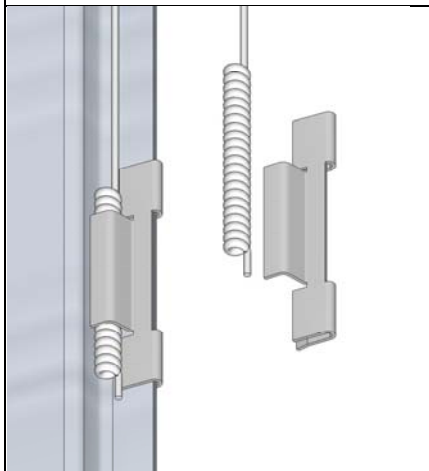
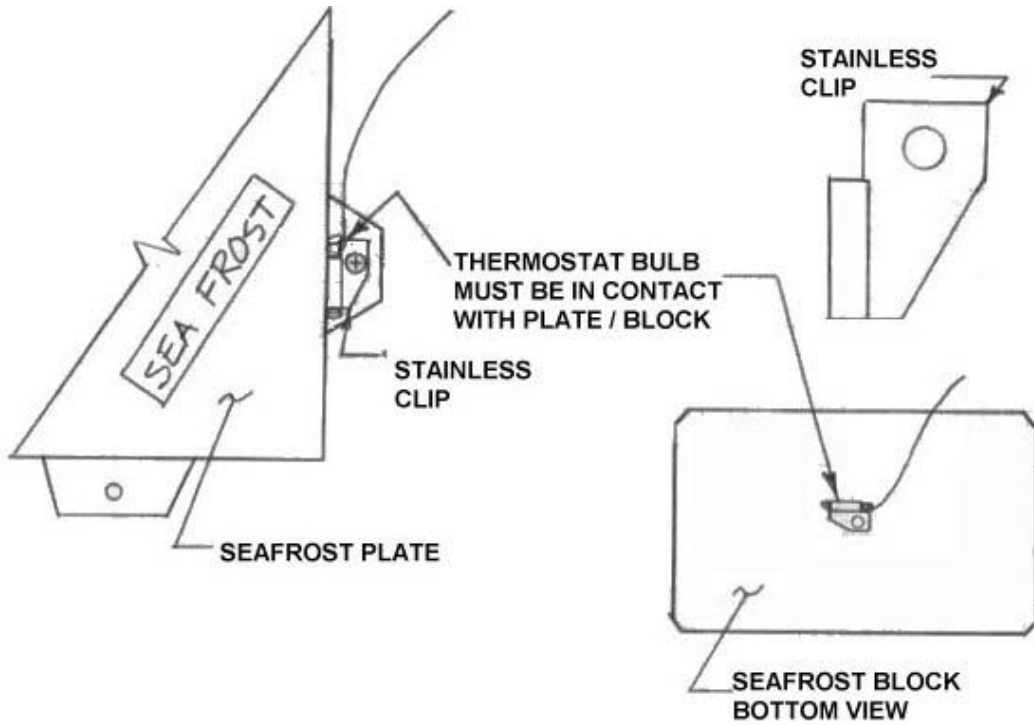
- Turn the adjustment screw clockwise. One 360-degree turn will raise the box temperature approximately 6 degrees f.

If the highest setting on the thermostat panel is too warm:

- Turn the adjustment screw counterclockwise.



HOLDOVER PLATES



STAINLESS STEEL
EVAPORATOR PLATES

