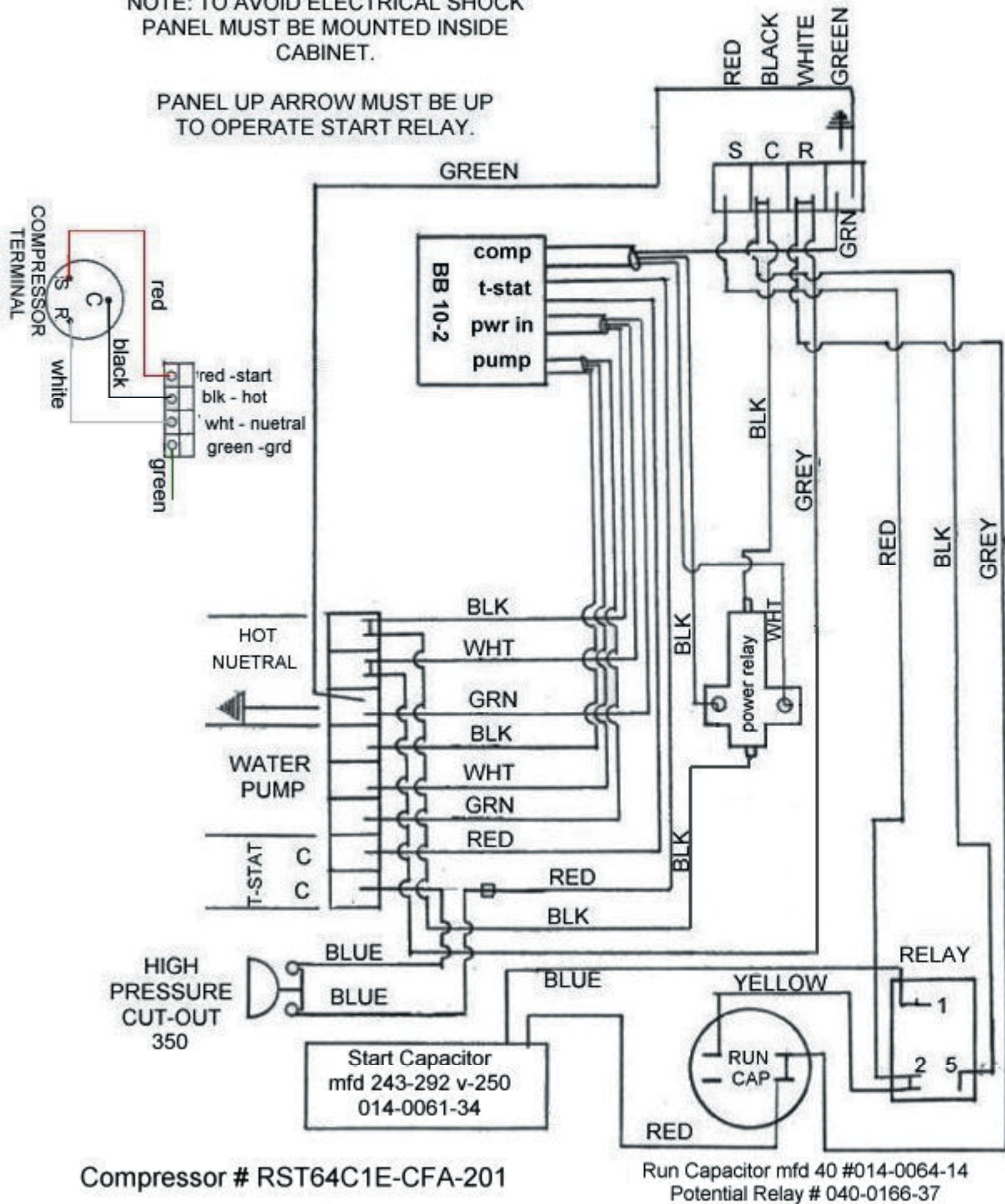


BG 2000 110-Volt Wiring Revised - June 2010

NOTE: TO AVOID ELECTRICAL SHOCK
PANEL MUST BE MOUNTED INSIDE
CABINET.

PANEL UP ARROW MUST BE UP
TO OPERATE START RELAY.



Compressor # RST64C1E-CFA-201

Run Capacitor mfd 40 #014-0064-14
Potential Relay # 040-0166-37